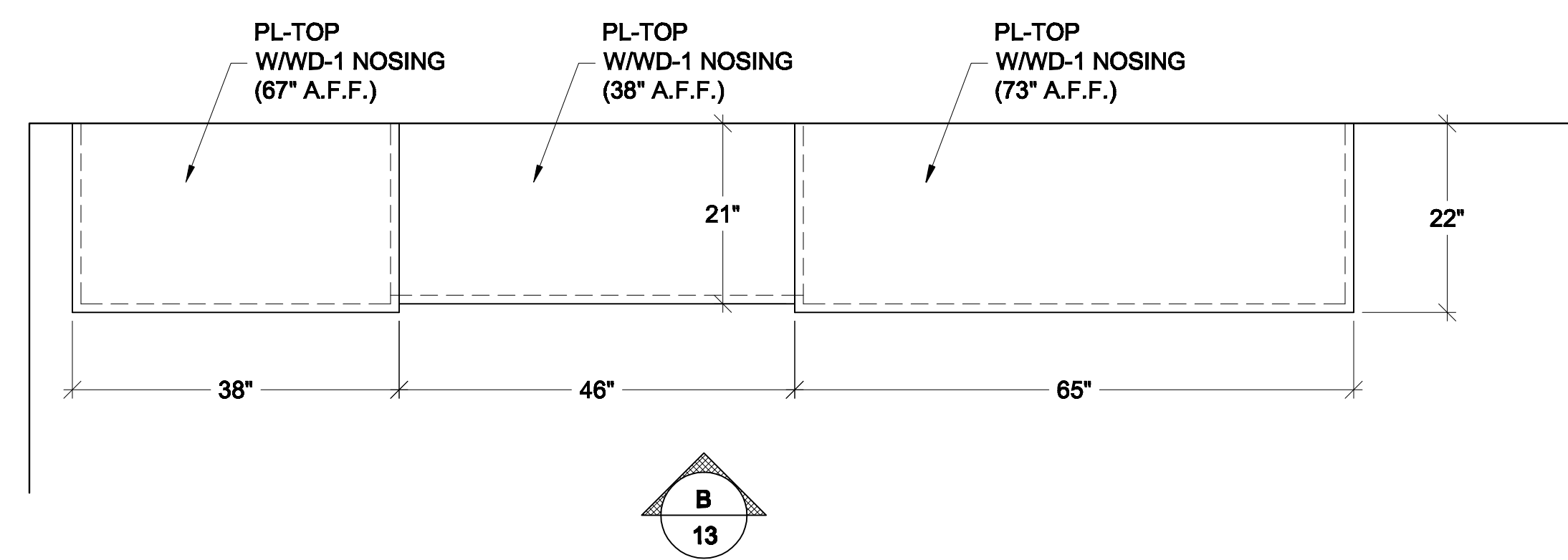
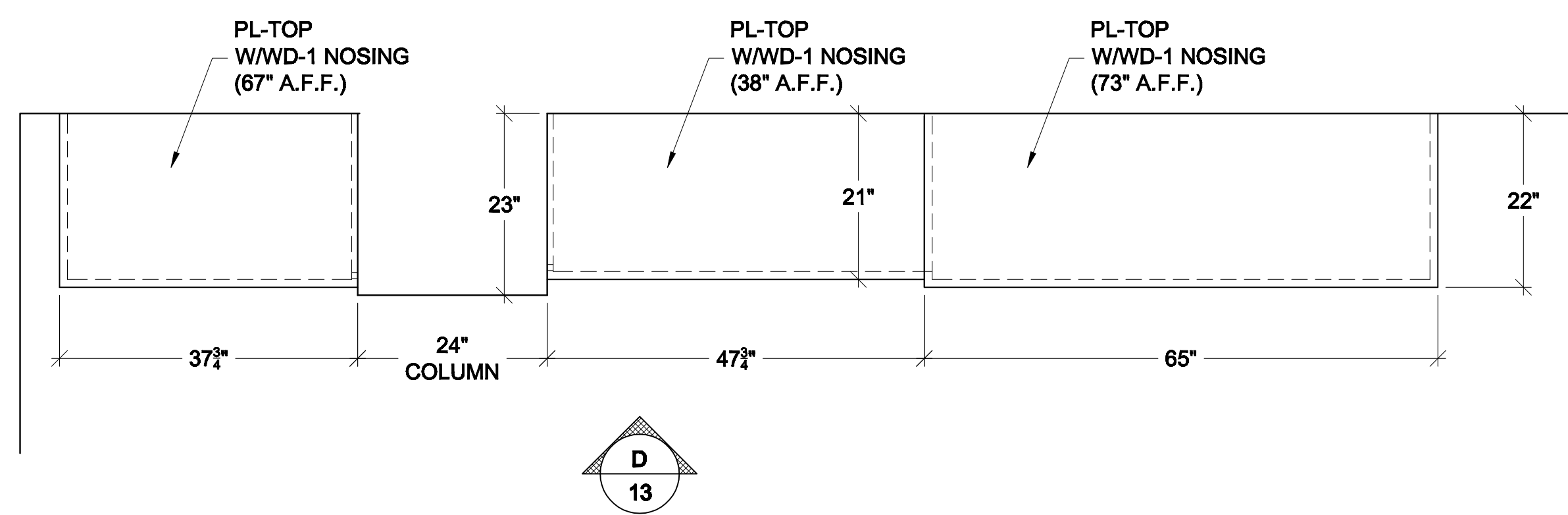


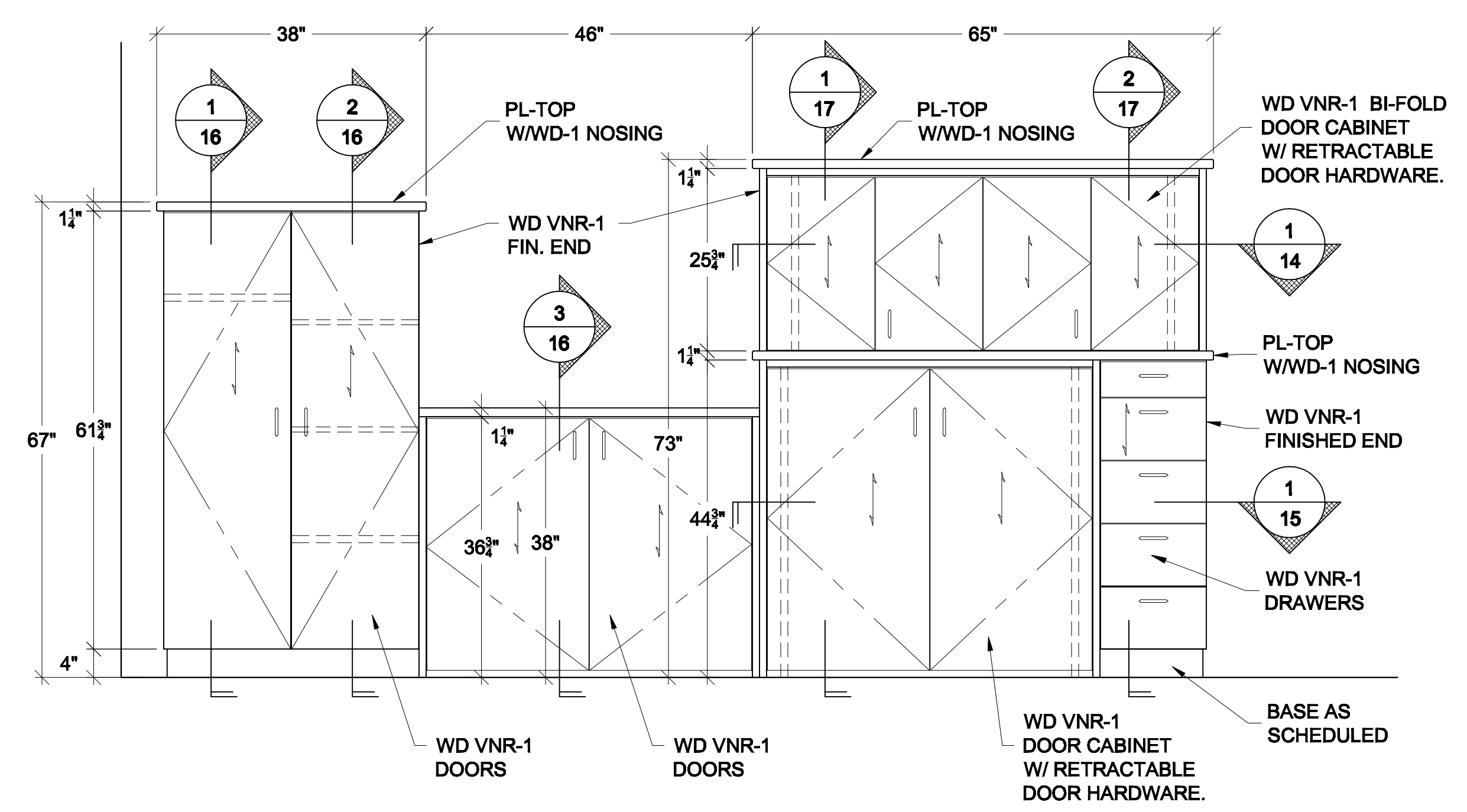
FOOTWALL CASEWORK SCHEDULE					
FL. / AREA	ROOM	O.A. DIM.	FINISH	HAND	NOTES
5 A	LDR ROOM. 5126	149"	PER ELEV & DET.	AS SHOWN	PLAN & ELEV A & B
5 A	LDR ROOM. 5127	V.I.F.	PER ELEV & DET.	OPP. HAND	PLAN & ELEV C & D
5 A	LDR ROOM. 5128	V.I.F.	PER ELEV & DET.	AS SHOWN	PLAN & ELEV C & D
5 A	LDR ROOM. 5129	V.I.F.	PER ELEV & DET.	OPP. HAND	PLAN & ELEV C & D



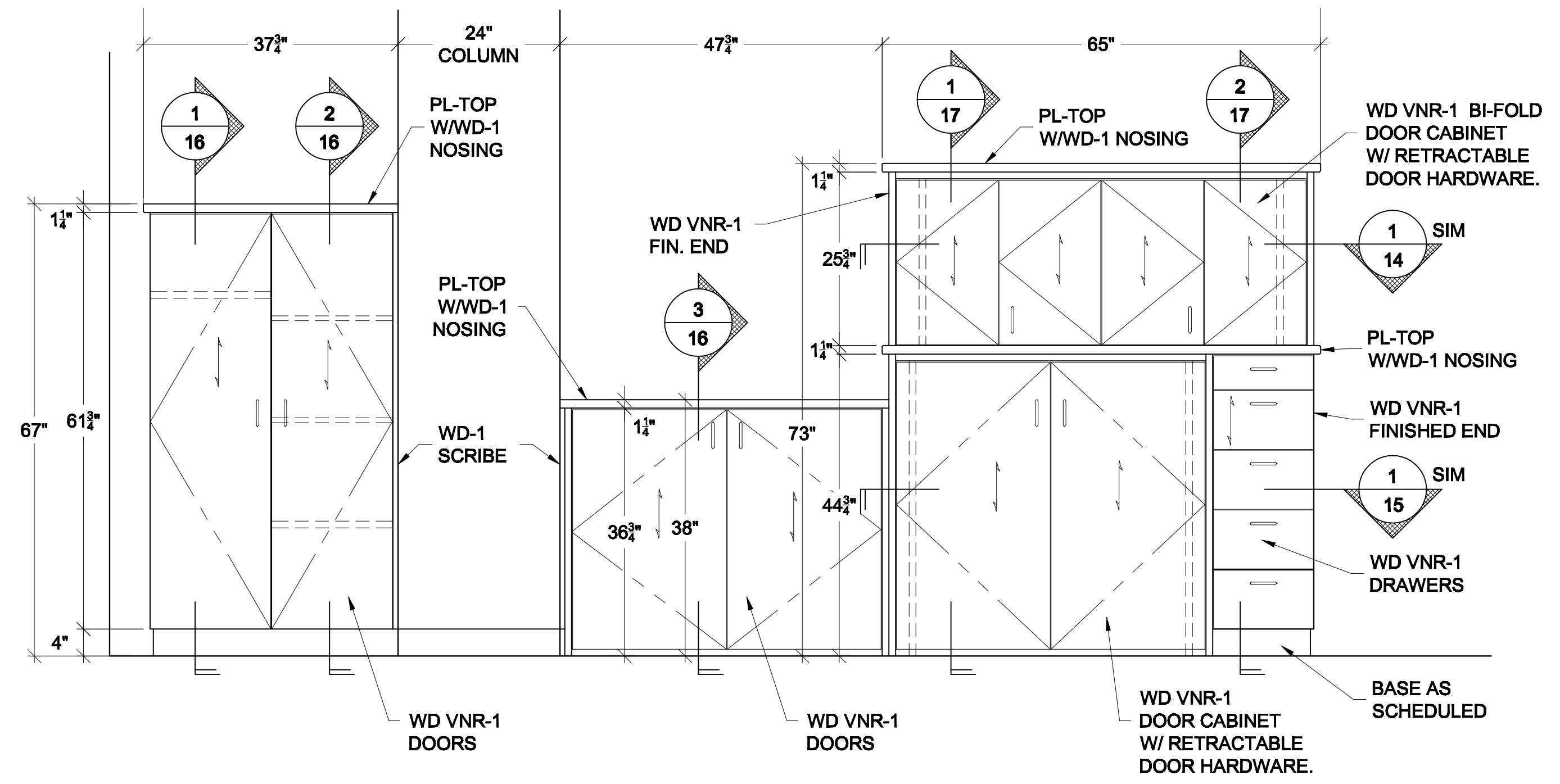
PLAN @ TYP. LDR ROOM FOOTWALL - LEVEL 5  
 SCALE: 3/4"=12" REF: 1/A6.50 B  
13



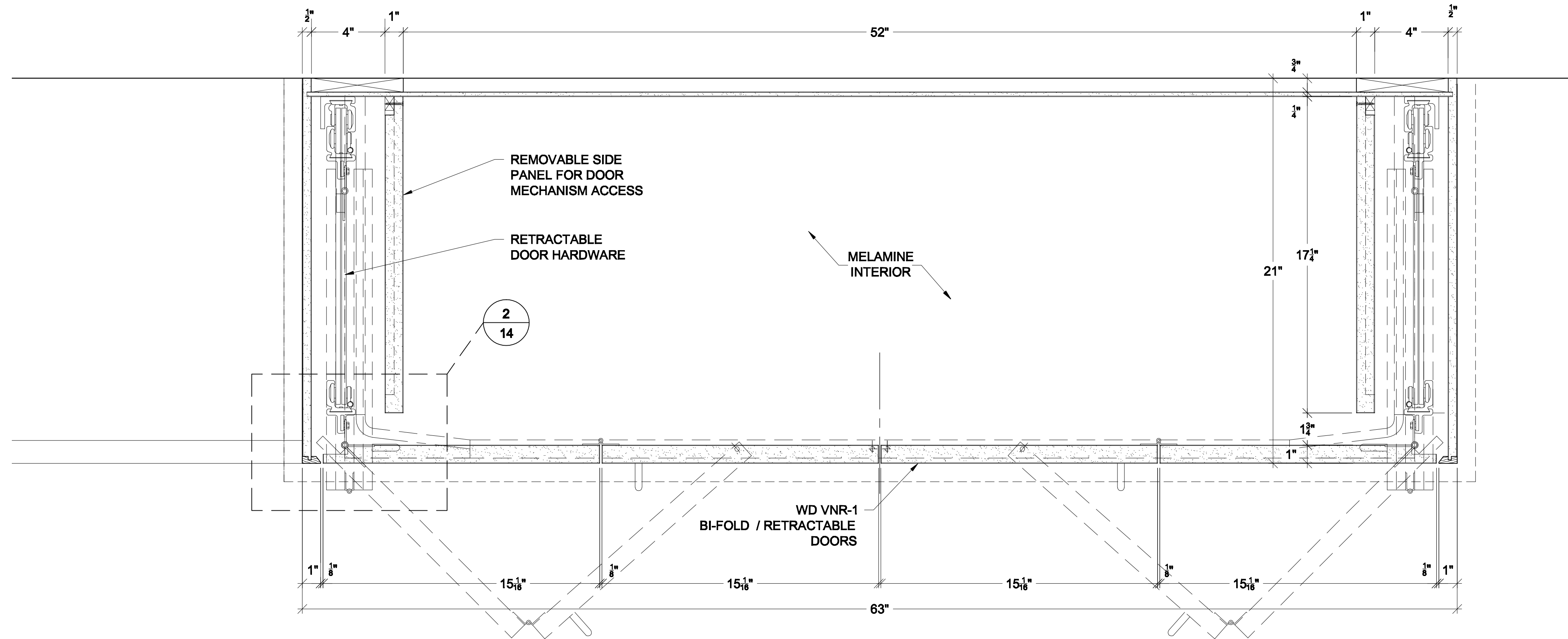
PLAN @ TYP. LDR ROOM FOOT WALL - LEVEL 5  
 SCALE: 3/4"=12" REF: 1/A6.50 C  
13



ELEVATION @ TYP. LDR ROOM FOOTWALL - LEVEL 5  
 SCALE: 3/4"=12" REF: 1/A6.50 B  
13

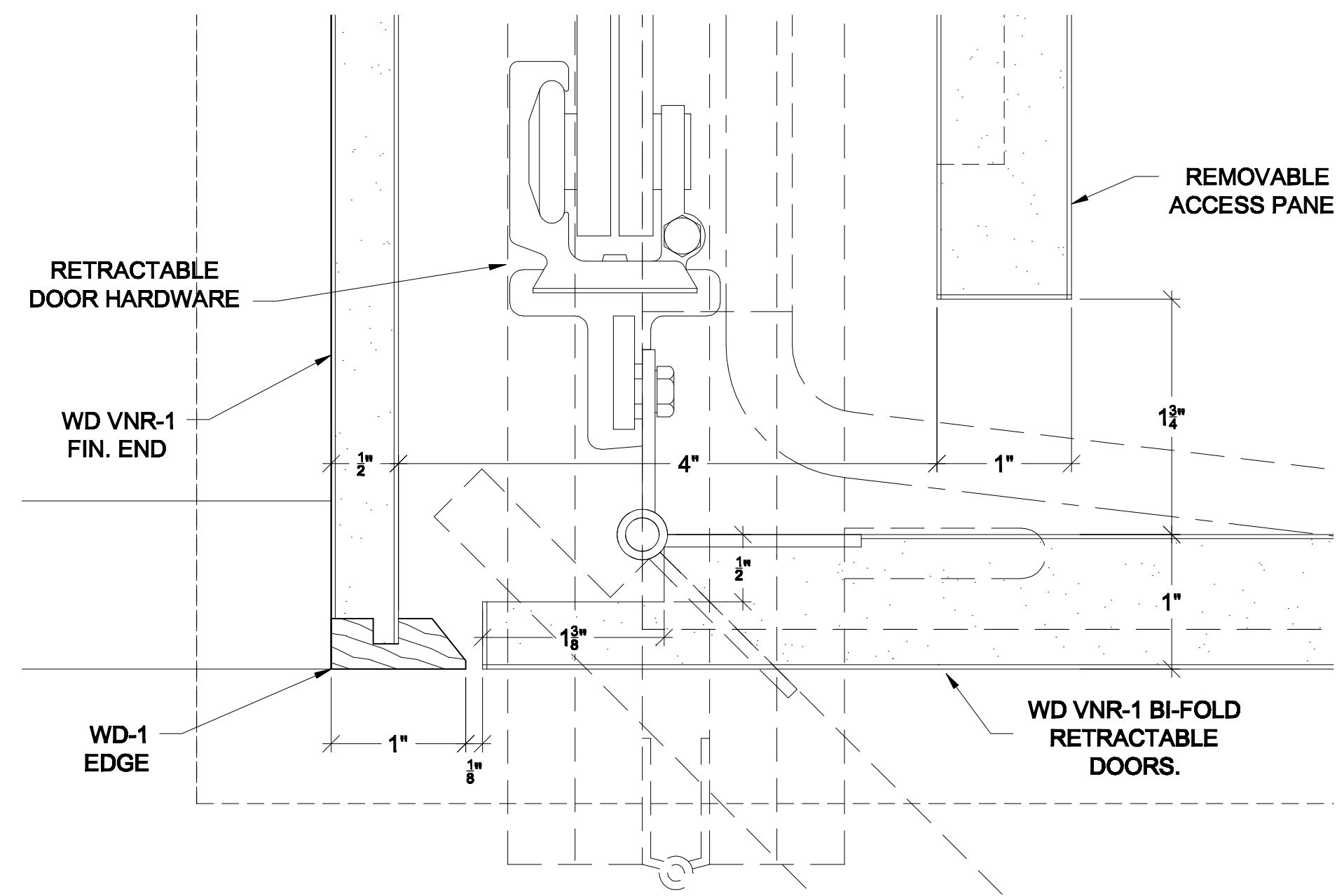


ELEVATION @ TYP. LDR ROOM FOOTWALL - LEVEL 5  
 SCALE: 3/4"=12" REF: 1/A6.50 D  
13



**PLAN SECTION @ LDR ROOM FOOTWALL CASEWORK**  
 SCALE: 3"=12" REF: NONE

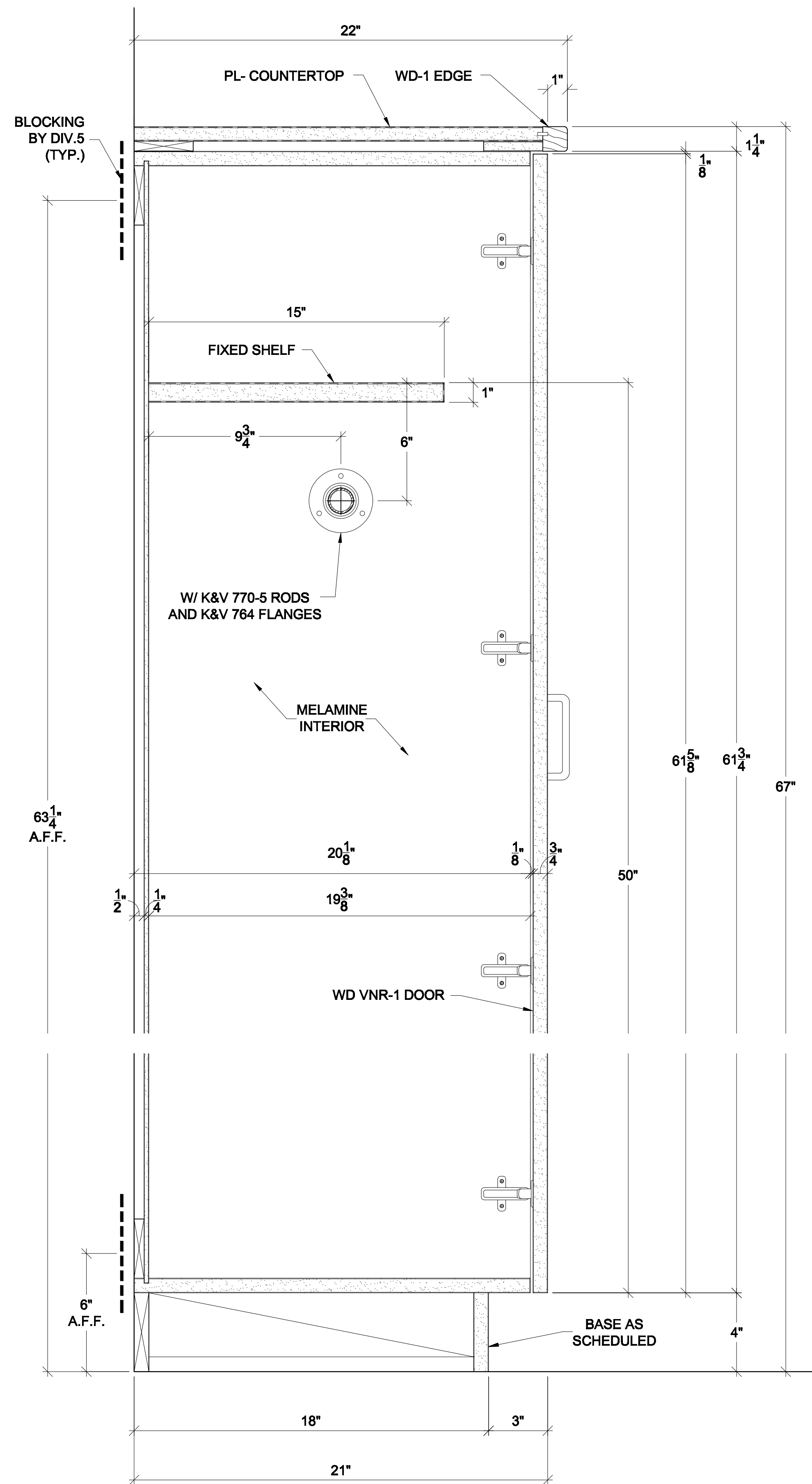
1  
14



**DETAIL @ BI-FOLD RETRACTABLE DOOR**  
 SCALE: 12"=12" REF: NONE

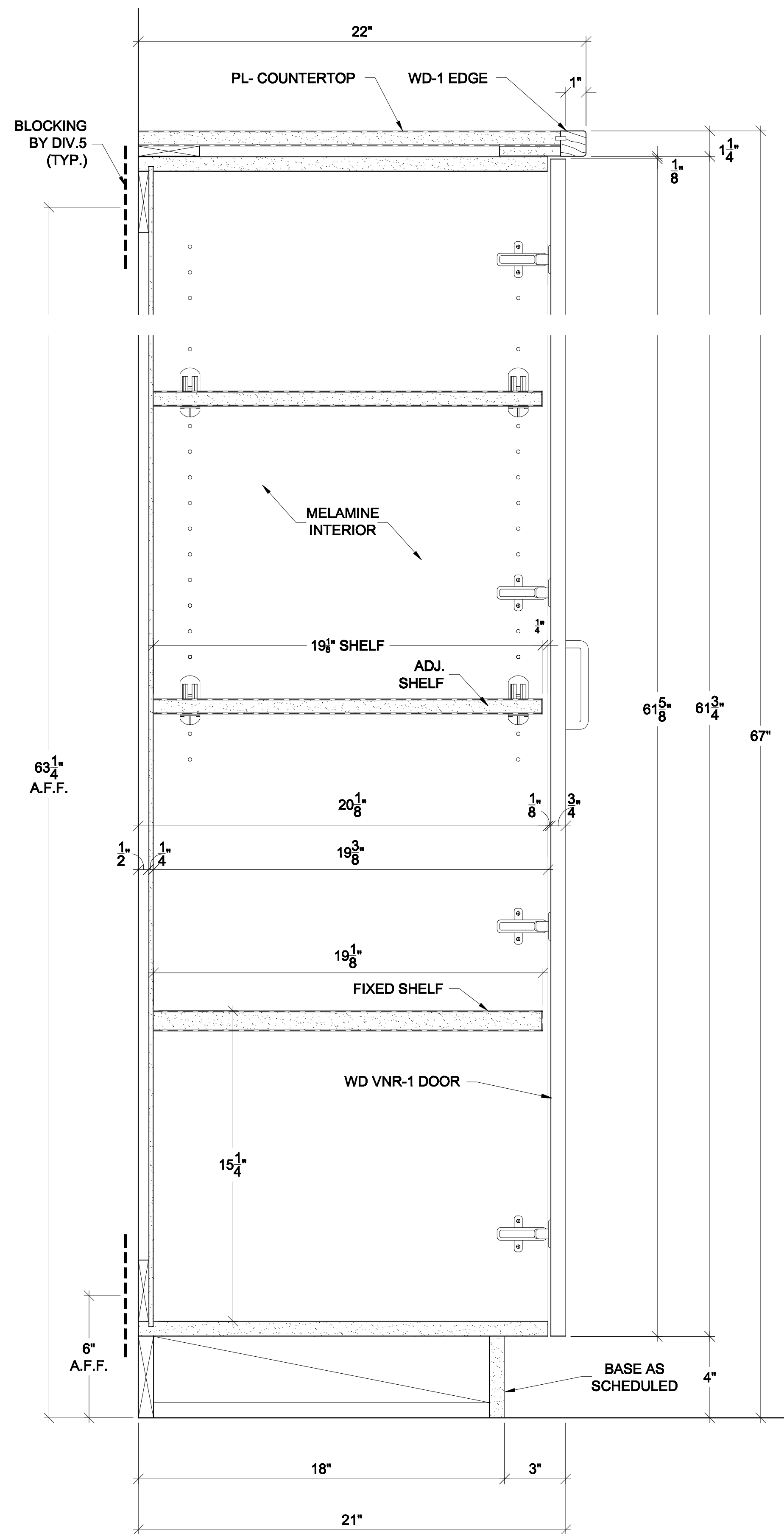
2  
14





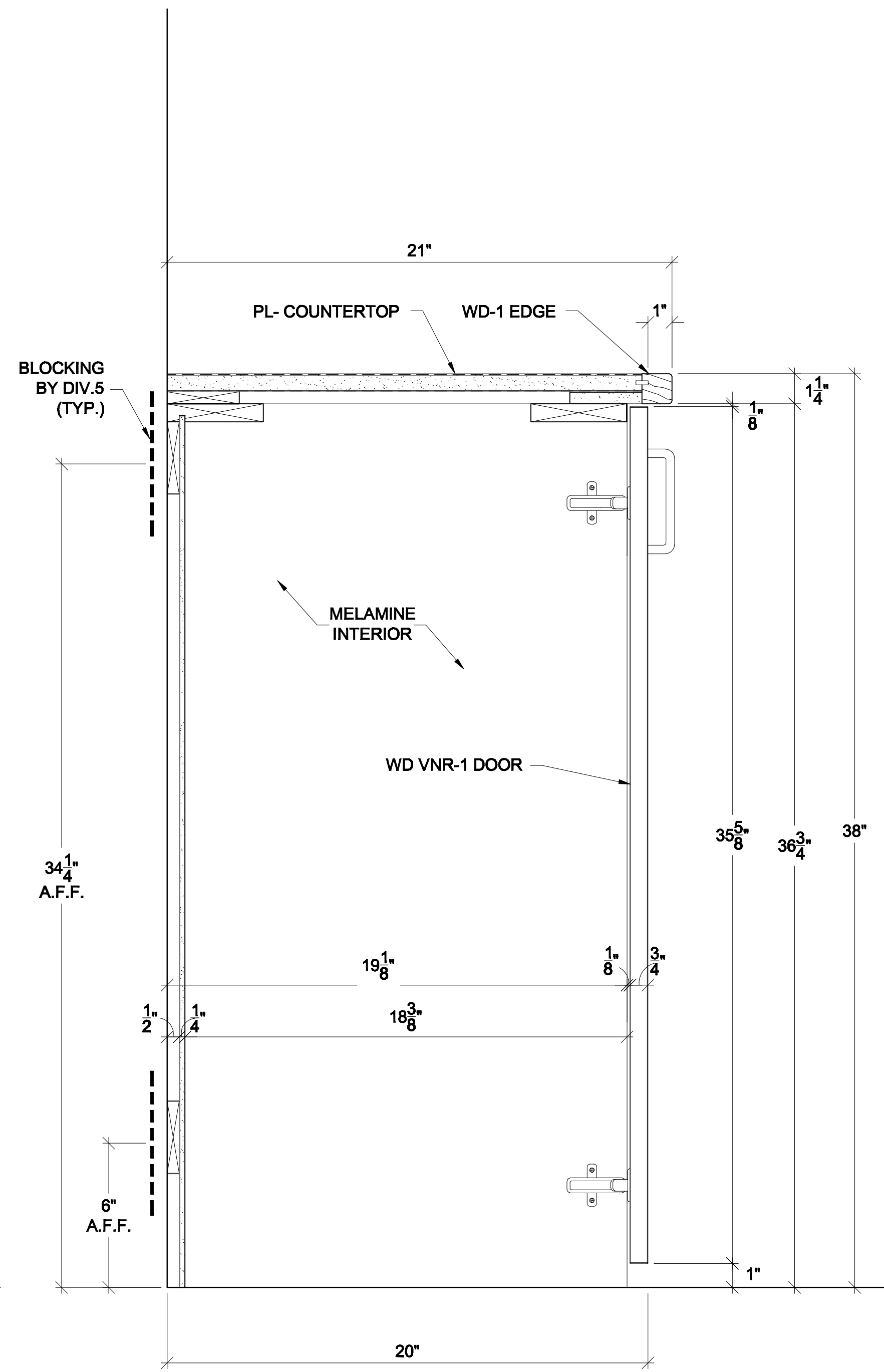
SECTION @ LDR ROOM STORAGE CASEWORK  
SCALE: 3"=12" REF: 13/A6.50

1  
16



SECTION @ LDR ROOM STORAGE CASEWORK  
SCALE: 3"=12" REF: 14/A6.50

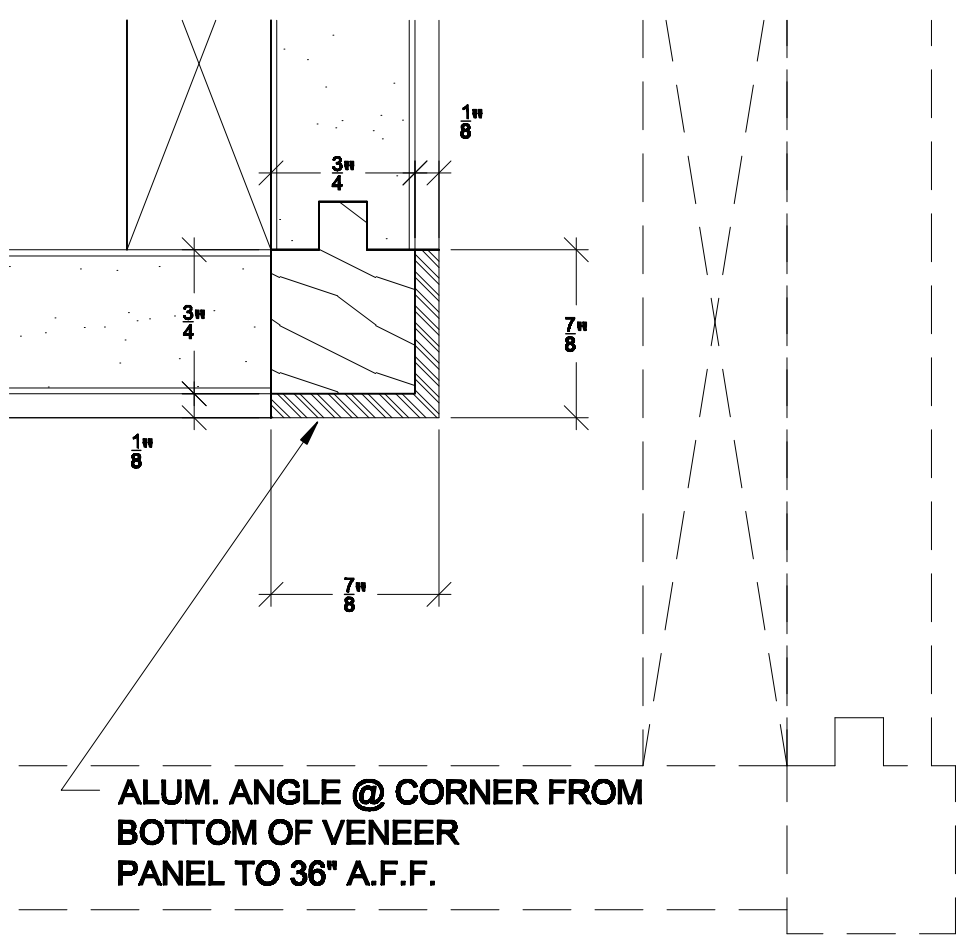
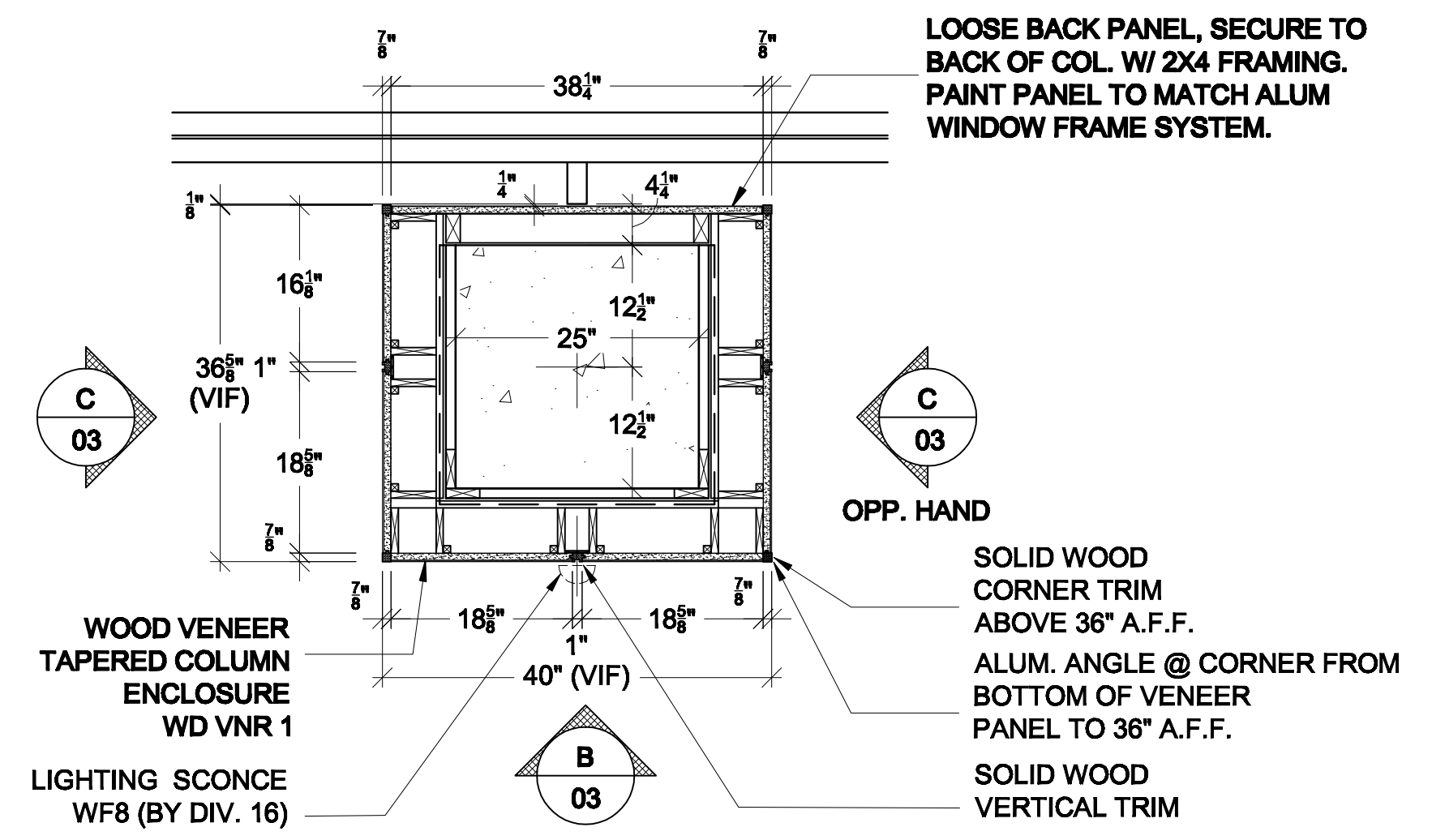
2  
16



SECTION @ LDR ROOM STORAGE CASEWORK  
SCALE: 3"=12" REF: 17/A6.50

3  
16

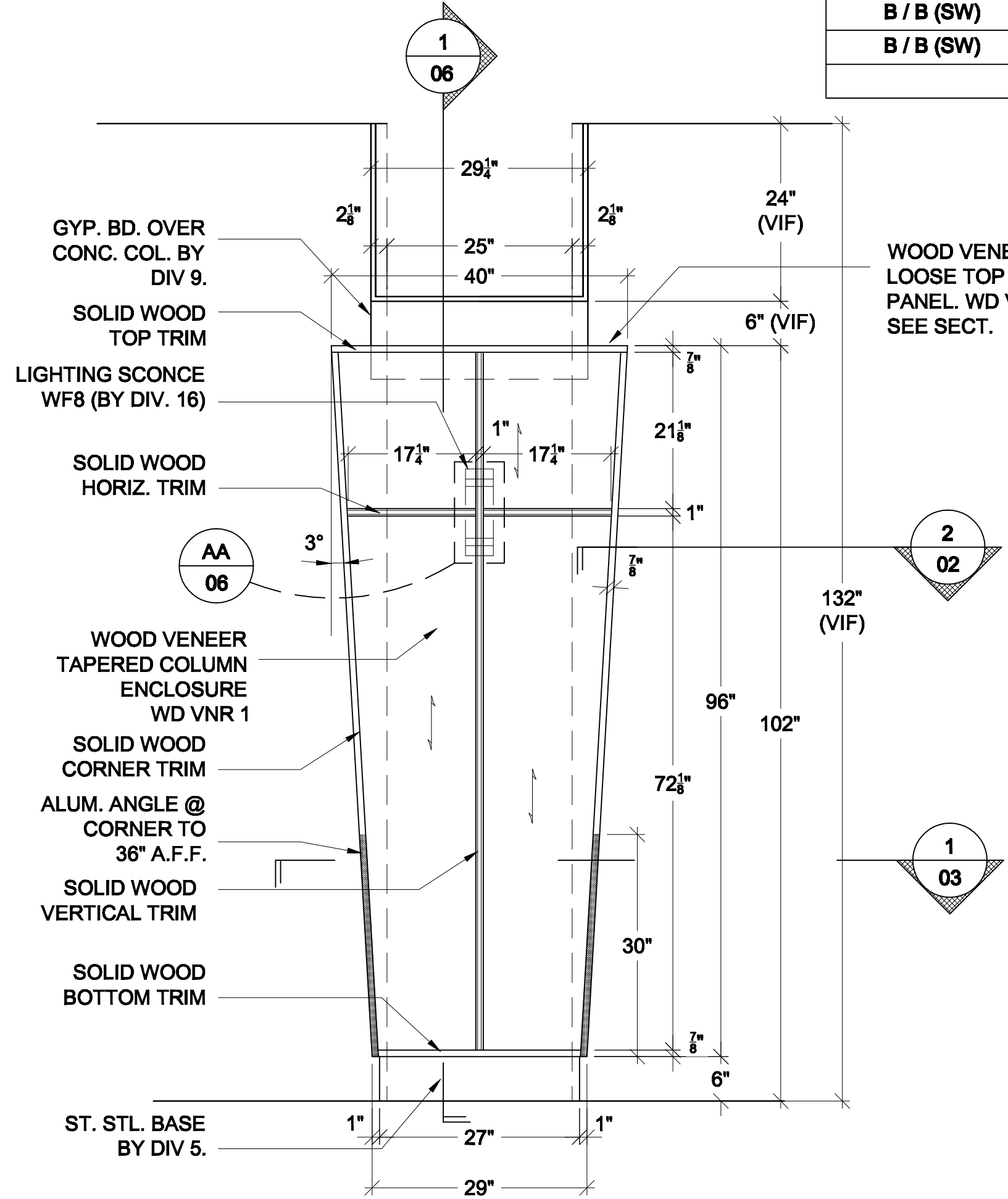




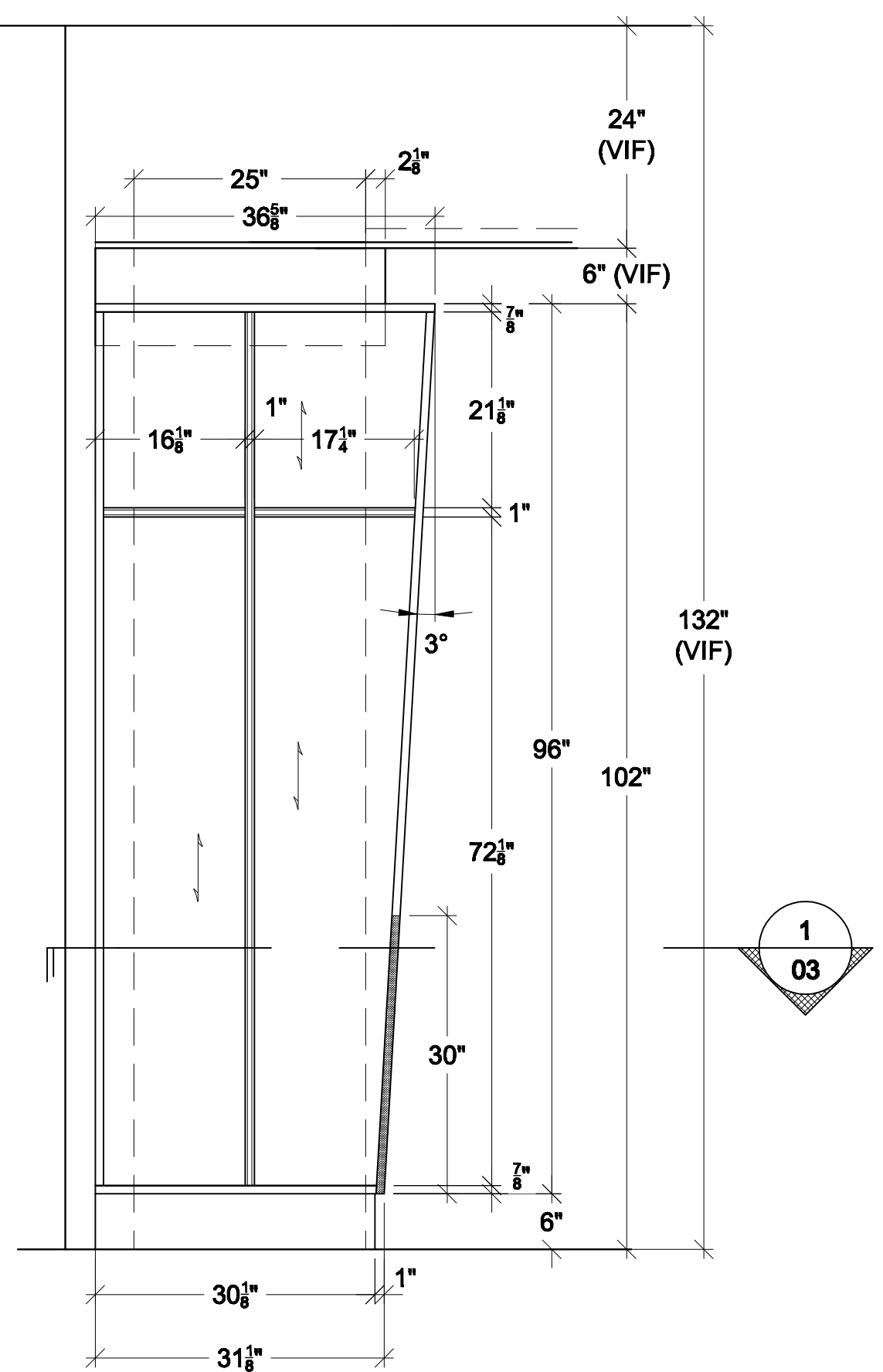
**PLAN @ TYP. 3 SIDED COLUMN ENCLOSURE**  
 SCALE: 3/4"=12" REF: 13/A6.06

**PLAN DETAIL**  
 SCALE: 12"=12" REF: NONE

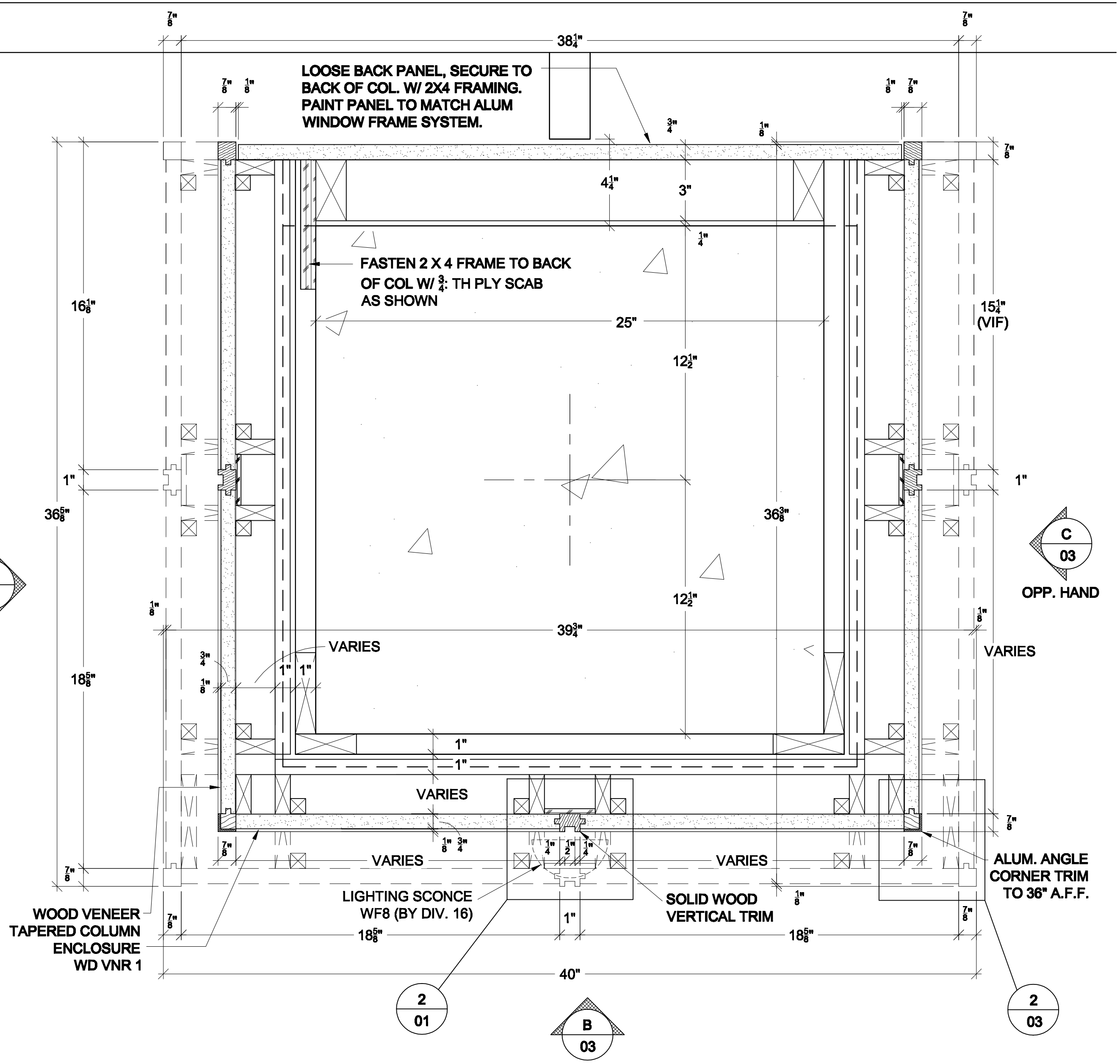
FLOOR / AREA	ROOM	COL. GRID #	FINISH
B / B (SW)	B 350 DINING AREA	CC/R15	(SEE ELEVATION)
B / B (SW)	B 350 DINING AREA	BB/R13	(SEE ELEVATION)
B / B (SW)	B 350 DINING AREA	BB/R14	(SEE ELEVATION)



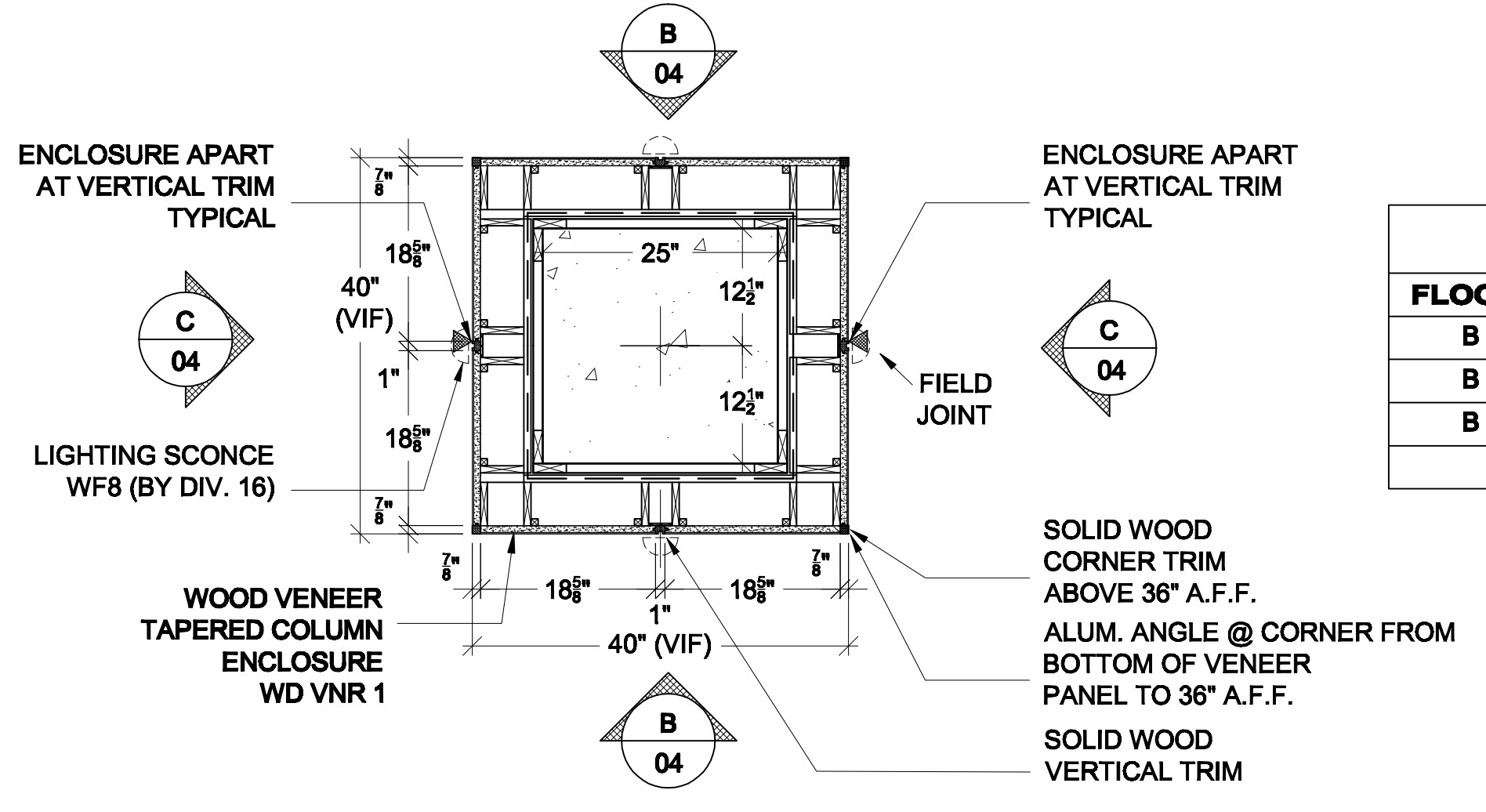
**FRONT ELEVATION @ TYP. 3 SIDED COLUMN ENCLOSURE**  
 SCALE: 3/4"=12" REF: 13/A6.06



**TYP. SIDE ELEVATION**  
 SCALE: 3/4"=12" REF: NONE

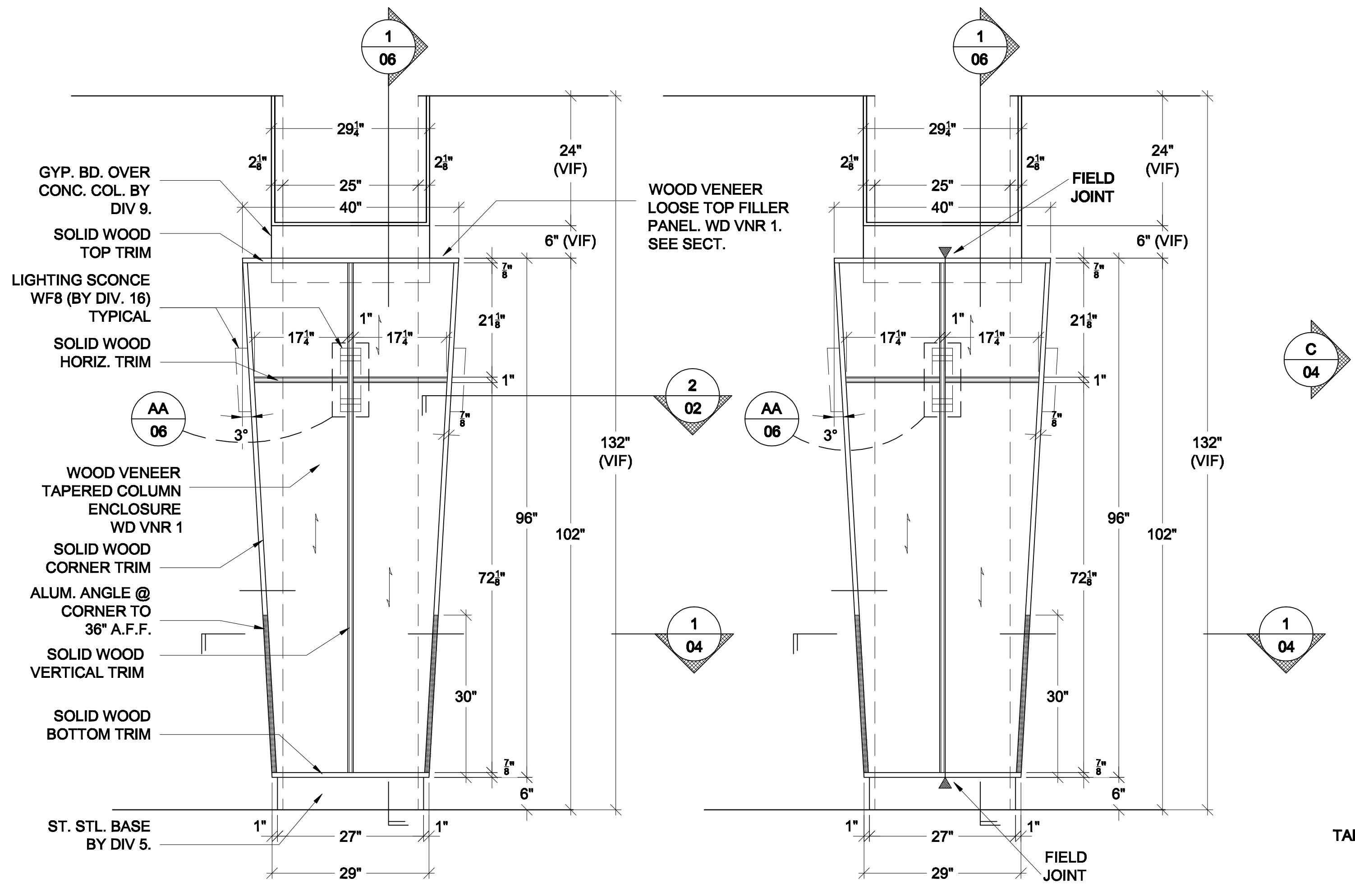


**PLAN @ TYP. 3 SIDED COLUMN ENCLOSURE**  
 SCALE: 3"=12" REF: 13/A6.06



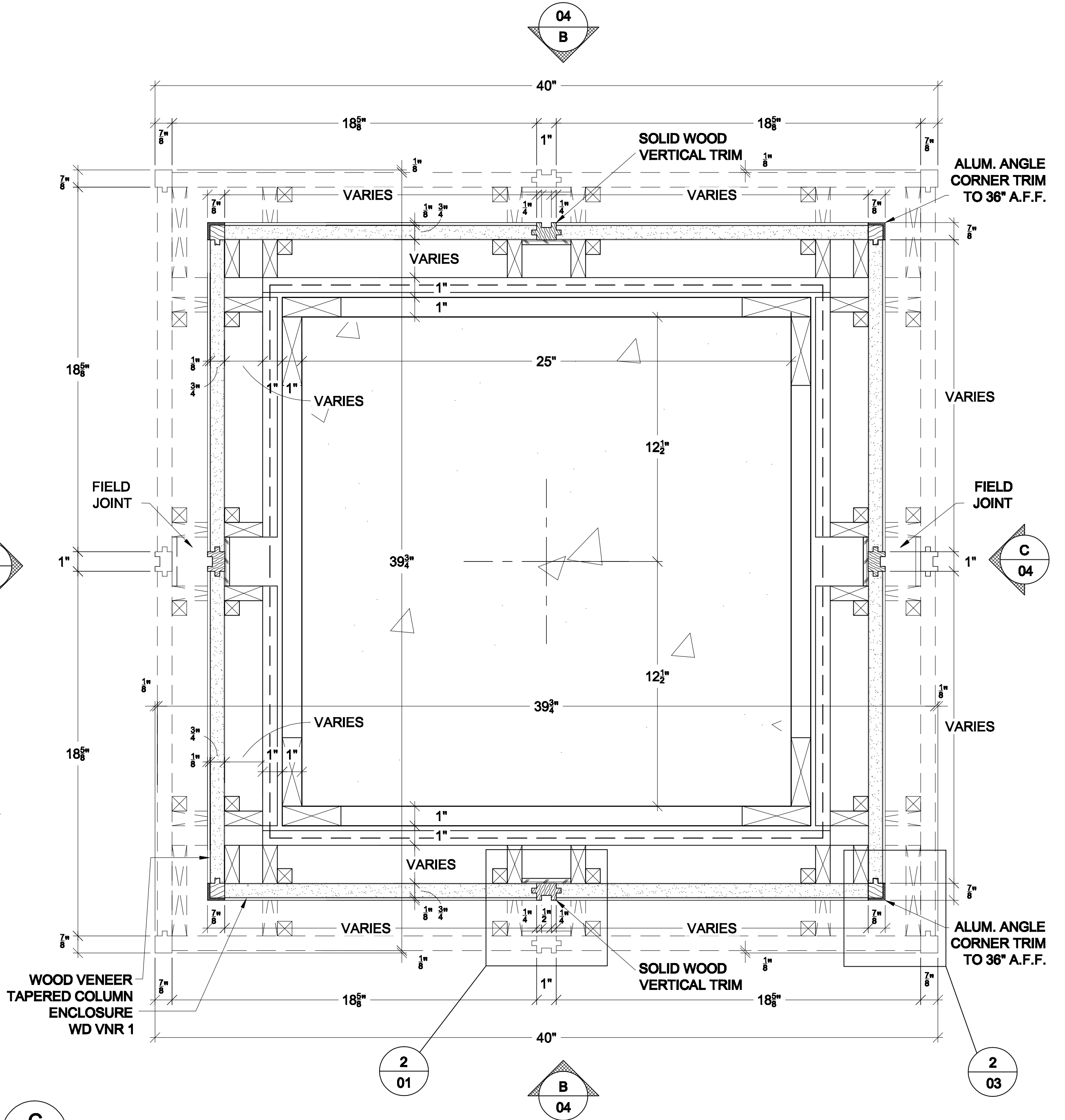
SCHEDULE			
FLOOR / AREA	ROOM	COL. GRID #	FINISH
B / B (SW)	B 350 DINING AREA	CC/R13	(SEE ELEVATION)
B / B (SW)	B 350 DINING AREA	CC/R14	(SEE ELEVATION)
B / B (SW)	B 350 DINING AREA	FF/R15	(SEE ELEVATION)

**PLAN @ TYP. 4 SIDED COLUMN ENCLOSURE**  
 SCALE: 3/4"=12" REF: 13/A6.06 A  
04



**ELEVATION @ TYP. 4 SIDED COLUMN ENCLOSURE**  
 SCALE: 3/4"=12" REF: 13/A6.06 B  
04

**ELEVATION @ TYP. 4 SIDED COLUMN ENCLOSURE**  
 SCALE: 3/4"=12" REF: 13/A6.06 C  
04

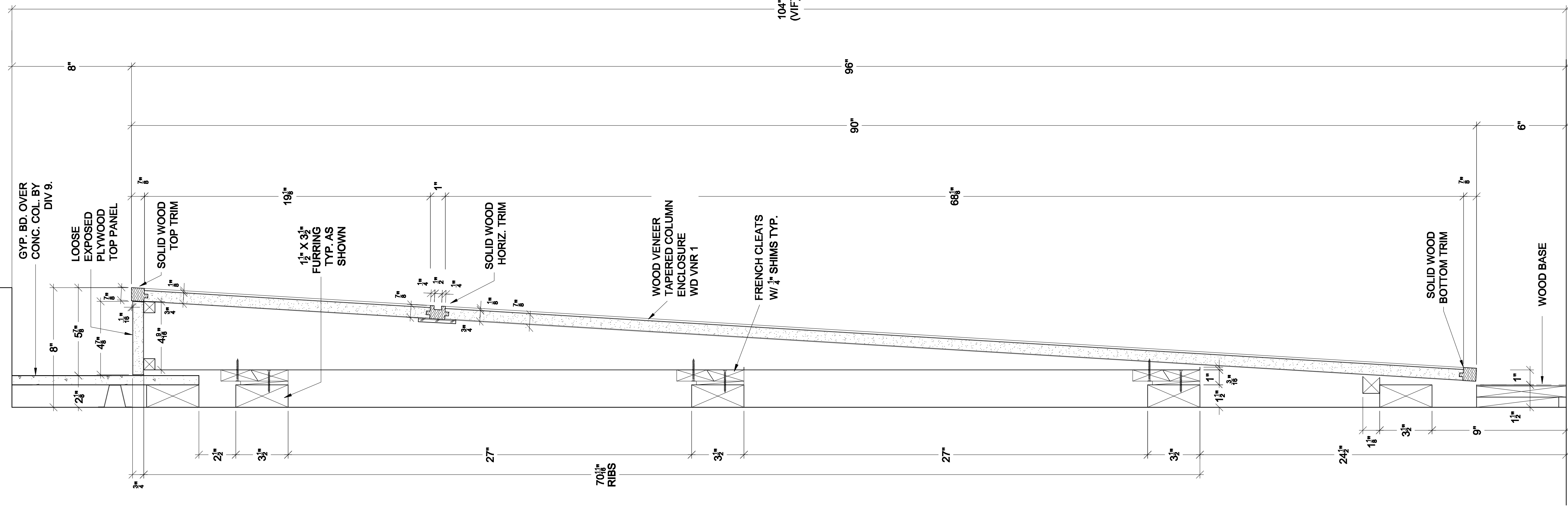


**PLAN @ TYP. 4 SIDED COLUMN ENCLOSURE**  
 SCALE: 3"=12" REF: 13/A6.06 1  
04









SECTION @ CHAPEL COLUMN ENCLOSURE

SCALE: 3"=12"

REF: 12/A6.06 SIM

1

07